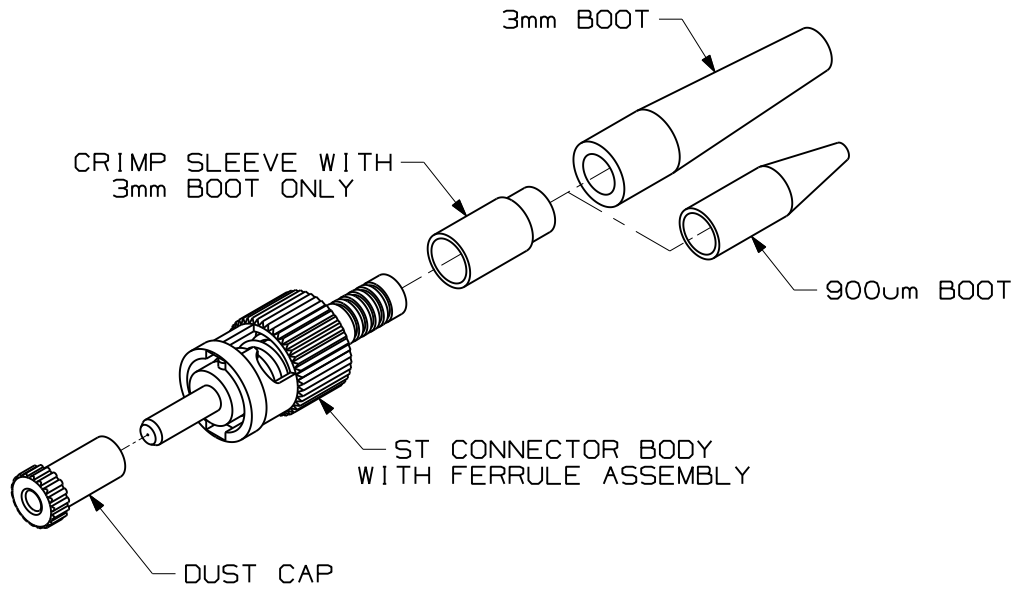


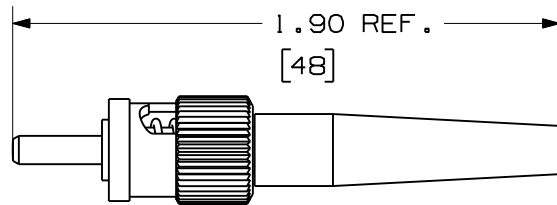
THIS COPY IS PROVIDED ON A RESTRICTED BASIS AND IS NOT TO BE USED IN ANY WAY DETRIMENTAL TO THE INTERESTS OF PANDUIT CORP.



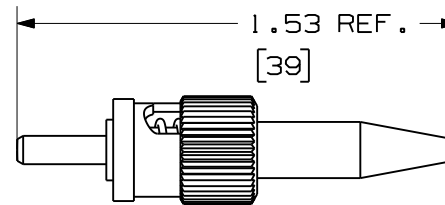
NOTES:

1. SEE CURRENT CATALOG FOR PART NUMBER SUFFIXES TO INDICATE COLOR AND/OR PACKAGE QUANTITY.
2. MULTIMODE CONNECTORS ACCEPT 50/125 OR 62.5/125 GLASS OPTICAL FIBER.
3. SINGLEMODE CONNECTORS ACCEPT 9/125 GLASS OPTICAL FIBER.
4. MATERIALS:
CONNECTOR BODY/HARDWARE: NICKEL-PLATED ZINC
BOOTS: THERMOPLASTIC RUBBER
FERRULE: ZIRCONIA CERAMIC
5. COMPLIES WITH THE FIBER OPTIC PERFORMANCE REQUIREMENTS AS SPECIFIED BY TIA/EIA-568-B.3.
6. COMPATIBLE WITH TIA-EIA-604-2 (FOCIS-2).
7. FERRULE DIAMETER: 2.4985/2.4995mm
8. ALL MATERIALS AND COMPONENTS USED MUST MEET THE MATERIAL RESTRICTIONS OF RoHS, (EUROPEAN DIRECTIVE 2002/95/EC ON THE RESTRICTION OF HAZARDOUS SUBSTANCES) AS PROPOSED BY THE RoHS TECHNICAL ADAPTATION COMMITTEE.
9. DIMENSIONS IN BRACKETS ARE METRIC [mm]

PANDUIT PART NUMBER	BOOT COLOR	WEIGHT
NKFSTMABL	BLACK	1.00 lb/100 pcs [454.5g/100 pcs]
NKFSTMARD	RED	
NKFSTSABU	BLUE	




ST CONNECTOR WITH 3mm BOOT
(SHOWN WITHOUT DUST CAP)



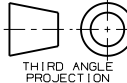
ST CONNECTOR WITH 900um BOOT
(SHOWN WITHOUT DUST CAP)

REV	DATE	BY	CHK	DESCRIPTION	ECN	R	CUST	SUP	OTH
R	12-21-09	EFK		RELEASED TO PRODUCTION	01302-66				

NETKEY FIBER OPTIC SINGLEMODE/MULTIMODE
SIMPLEX ST CONNECTOR
CUSTOMER DRAWING



PANDUIT™
CORP.
TINLEY PARK, ILL 60477

 <small>THIRD ANGLE PROJECTION</small>	ALL DIMENSIONS ARE GIVEN IN INCHES UNLESS OTHERWISE SPECIFIED. DIMENSIONAL TOLERANCES ARE: (.X) ±.03 (.XXX) ±.010 (0.3) (.XX) ±.03 (0.8) ANGLES	DRAWING FILENAME M01302AD_DC/00A SCALE NONE PART NO. NKFSTMA** NKFSTSA** DRAWING NO. 01302-66 SIZE A
DRAWN BY EFK DATE 12-21-09 CHK'D	MATERIAL	